



PRESSURE GAUGES

Analogue Gauges

- Sizes 6"
- 304 Stainless steel housing
- Glycerine filled
- 316Ti Stainless steel pressure element
- Dual Scale: 0-80 MPa
0-12000 psi
- 0.5% Accuracy
- Bottom mount

Digital Gauges

Standard Digital Gauge Features

- Stainless steel housing
- Glycerine filled
- 0.5% Accuracy
- MPa/bar/PSI selectable
- 11mm text - main display
- Bar graph with trailing pointer function
- Min/Max memory
- Battery indicator

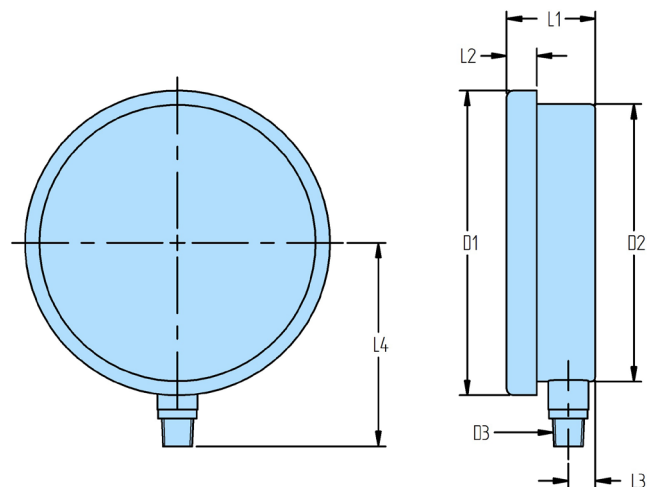
Advanced Digital Gauge Features

- Second display - tare/peak etc.
- Tare function
- Display illumination
- Auto switch off
- Settings password



Dimensions

Model	D1	D2	D3	L1	L2	L3	L4
6"	165.5	150.5	3/8" NPT	50	17	15	117
Digital	85	85	1/4" BSPP	43.1	n/a	15.8	66.5

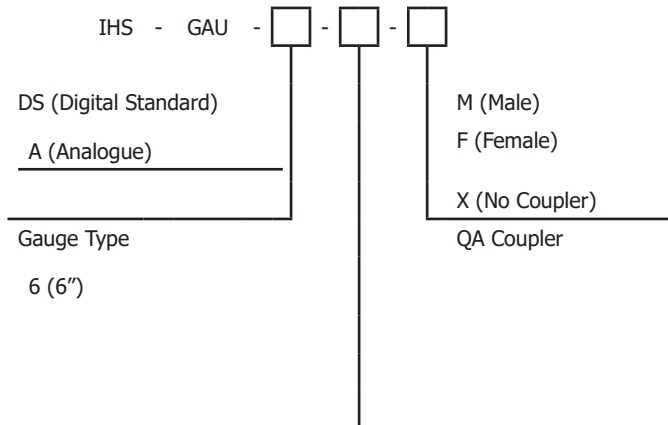


P: +61 3 9645 1522 | E: mail@mcmillaneng.com.au | W: www.mcmillaneng.com.au



PRESSURE GAUGES

Ordering Information



Carry Case

All of our gauges are supplied with a foamed lined, hard carry case.

- Water tight
- Vibration / shock proof
- Dust proof
- Light weight
- Stackable
- Chemical resistant / corrosion proof
- Super strong latches / lockable

Calibration

MEG are NATA accredited for Force Calibration upto 7500kN and can calibrate to 1000kN.

See IHS Force Calibration Laboratory brochure for more details.



Accessories / Spares

Part No.	Description
IHS-GLY	500ml Glycerine bottle
IHS-GAU-CASE	Carry Case
IHS-GAU-A-04F-06M	1/4" BSPP Female - 3/8"-18 NPT Male Gauge Adapter
IHS-QA-06M-06M	Quick action coupler - 3/8" Male body / 3/8" NPT Male thread
IHS-QA-06F-06M	Quick action coupler - 3/8" Female body / 3/8" NPT Male thread
IHS-QA-06-CAP	Quick action coupler protection cap - 3/8"
IHS-QA-06-PLUG	Quick action coupler protection plug - 3/8"

P: +61 3 9645 1522 | E: mail@mcmillaneng.com.au | W: www.mcmillaneng.com.au